



Control[®] 62P

Ultra-Compact Mid-High Satellite Pendant Speaker

Professional Series

Key Features:

- ▶ 60 mm (2.5 in) driver, ideal for speech and mid-high music applications.
- ▶ Can drive 2 or 4 pieces from Control 50S/T for full-range, wide bandwidth performance.
- ▶ Can intermix with Control 52 surface-mount and Control 42C in-ceiling satellite speakers.
- ▶ Hanging hardware with 4.5 m (15 foot) galvanized steel cable and easy to adjust clamp.
- ▶ Stylish design, available in black or white (-WH).
- ▶ UL listed (speaker and hanging cable system).
- ▶ 16 ohms

Applications:

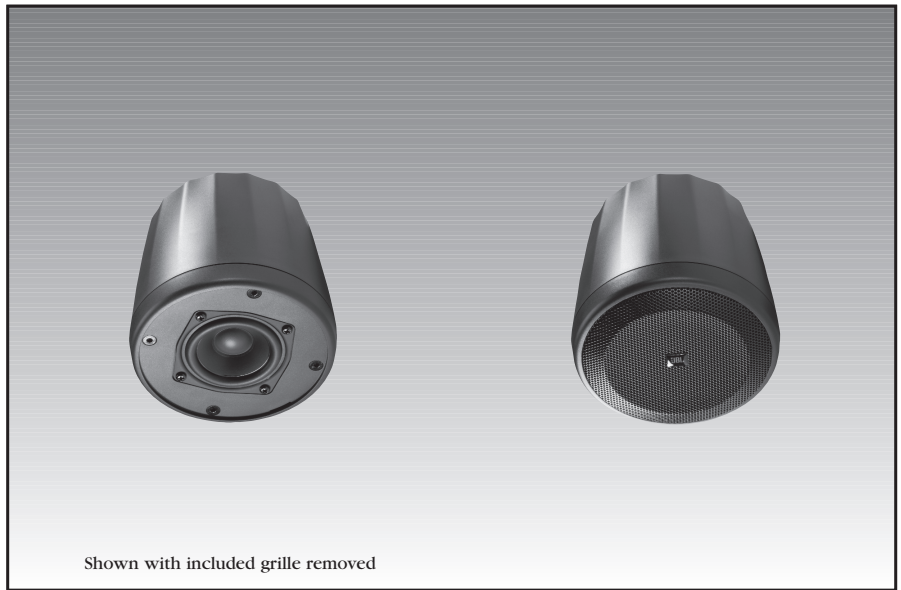
The Control 62P is an ultra-compact mid-high satellite pendant-type loudspeaker for open architecture ceilings and other locations where a pendant form factor is desired. Ideal for visually sensitive applications, Control 62P's small driver is great for speech and mid-high music applications (external high-pass required). For full-range, wide bandwidth performance, 2 or 4 pcs of Control 62P can be driven from the satellite output of a Control 50S/T surface-mount subwoofer (mounted on a wall) or Control 40CS/T in-ceiling subwoofer.

The Control 62P includes a single-point mounting system for easy and secure suspension in open-ceiling applications. Two complete hanging cable systems are included, providing both main and safety suspension cables. Include are extra-long 4.5 m (15 foot) high tensile galvanized steel wire rope having spring clips for the loudspeaker end of the cable and UL listed cable fasteners for infinitely adjustable suspension height.

The system's 60 mm (2.5 in) driver features a polypropylene-coated cone and 20 mm (¾ in) copper clad aluminum voice coil with vented Nomex[®] coil-former for high power handling and long-term reliability. The high sensitivity, wide bandwidth design provides high-fidelity sound quality with enhanced long-term sound level capability.

The Control 62P's high 16 ohm impedance allows up to 8 pieces to be connected in parallel on one channel of a 2-ohm capable power amplifier, or allows connection of up to 4 pieces on the satellite outputs of a Control 50S/T or 40CS/T passively crossed-over subwoofer.

Euro-style clip-in connectors allow for easy wiring. For protected outdoor applications, rubber boots are included to cover the input connectors, and an optional terminal cover is available for harsher locations.



Shown with included grille removed

Specifications:

System:	
Frequency Response (-10 dB):	150 Hz – 20 kHz
Frequency Range (±3 dB):	200 Hz – 17 kHz
Power Capacity:	50 Watts Continuous Program Power (2 hrs) 25 Watts Continuous Pink Noise (2 hrs) 30 Watts Continuous Program Power (100 hrs) 15 Watts Continuous Pink Noise (100 hrs)
Nominal Sensitivity:	87 dB (4.0 V, 1 W) 84 dB (2.83 V)
Nominal Coverage Angle:	140° (+25°/-50°)
Directivity (Q):	4.7
Directivity Index (DI):	6.2 dB
Rated Maximum SPL @ 1m:	97 dB continuous pink noise, 103 dB peak
Rated Impedance:	16 ohms (no transformer taps)
Recommended High-Pass Frequency:	150 Hz
Transducer:	
Driver:	60 mm (2.5 in), polypropylene-coated paper with pure butyl rubber surround, 20 mm (¾ in) copper clad aluminum voice coil with vented Nomex [®] coil-former.
Enclosure:	
Enclosure Material:	High impact polystyrene
Grille:	Zinc-plated steel grille with powder-coat finish, foam backing (removable for painting)
Environmental:	Exceeds Mil Spec 810 for humidity, salt spray, temperature & UV. IP44 capability per IEC 529 – splashproof rating.
Termination:	Two removable locking euro-block 2-pin connectors with screw-down terminals for bare wire. Connectors paralleled for input and loop-thru. Max. wire 12 AWG (2.5 mm ²). Rubber terminal covers included.
Suspension:	Two identical suspension systems (one as main suspension cable and the other as safety cable), each consisting of 4.5 m (15 ft) long 2 mm (0.077 in) high-tensile galvanized-steel wire rope suspension cable with spring-clips for clipping onto the loudspeaker bracket and Gripple [™] brand adjustable-height cable fasteners for infinitely adjustable height. Cables have SWL rating of 45 kg (99 lb).
Safety Agency Ratings:	Speaker listed per UL1480, transformer registered per UL1876. In accordance with IEC60849/EN60849. Suspension system and Gripple [™] -brand cable fastener listed per UL1598 and UL2239, TUV, and CSA Class 3426-01 & Class 3426-81.
Dimensions:	128 mm (5.1 in) diameter x 121 mm (4.8 in) height to top of cabinet. 141 mm (5.6 in) to top of suspension bracket.
Net Weight (ea):	0.7 kg (1.5 lbs)
Shipping Weight (pair):	2.0 kg (4.3 lbs)
Included Accessories:	Two suspension cable systems (see "Suspension", above), two 2-pin removable locking euro-block connectors, two rubber covers for euro-block connectors.
Optional Accessories:	MTC-PC62 top panel / terminal cover
Colors:	Available in black or white (-WH). Paintable.

¹ Full-space (suspended)

² Continuous Pink Noise rating is IEC-shaped pink noise with a 6 dB peak-to-average crest factor for 100 hours continuously. Continuous Program power is a conservative expression of the system's ability to handle normal speech and music program material and is defined as 3 dB above the Continuous Pink Noise rating.

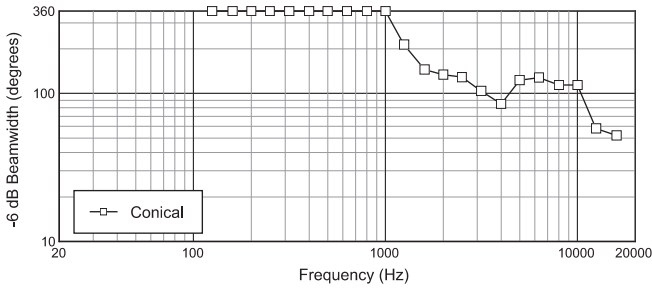
³ Full-space (suspend in free air), average 1.5 kHz to 10 kHz.

JBL continually engages in research related to product improvement. Changes introduced into existing products without notice are an expression of that philosophy.

► Control 62P Ultra-Compact Mid-High Satellite Pendant Speaker

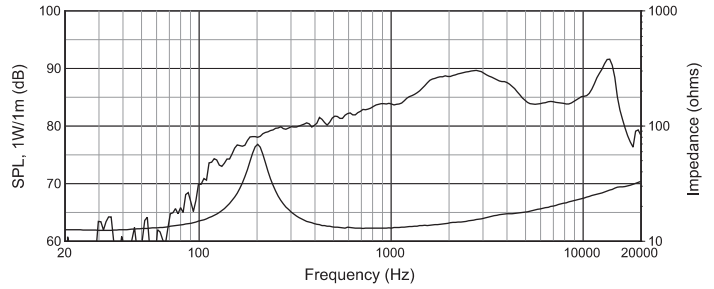
Beamwidth:

-6 dB coverage by frequency

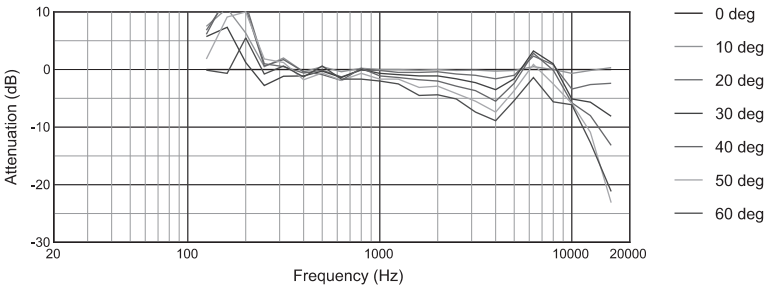


Frequency Response:

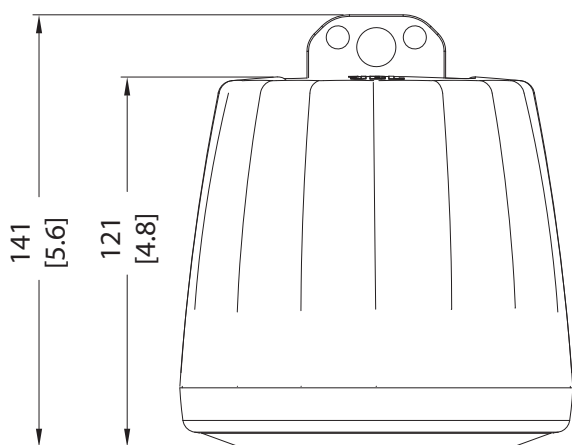
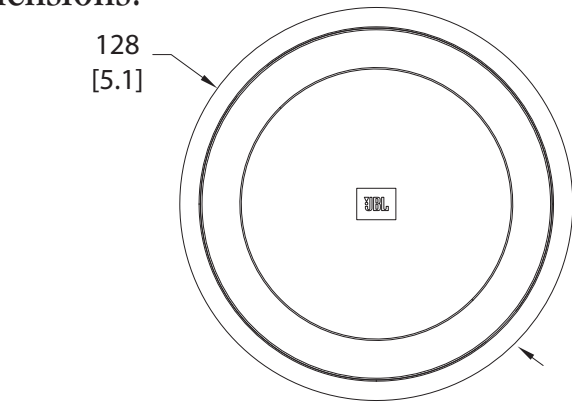
Full-space, 10° off-axis (typical for coverage area)



Off-Axis Frequency Response:



Dimensions:



Dimensions in mm (in)



JBL Professional
8500 Balboa Boulevard, P.O. Box 2200
Northridge, California 91329 U.S.A.

© Copyright 2010 JBL Professional
www.jblpro.com

SS C62
CRP
08/10