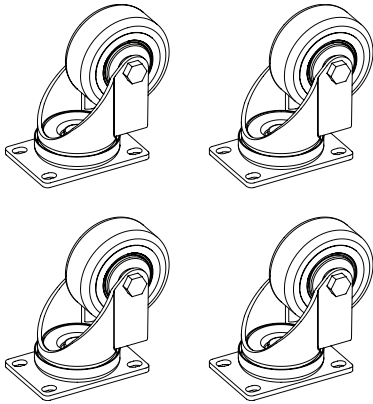




# ACK1

Accessory Caster Kit

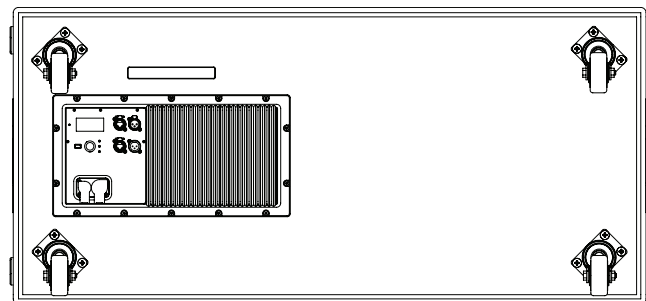
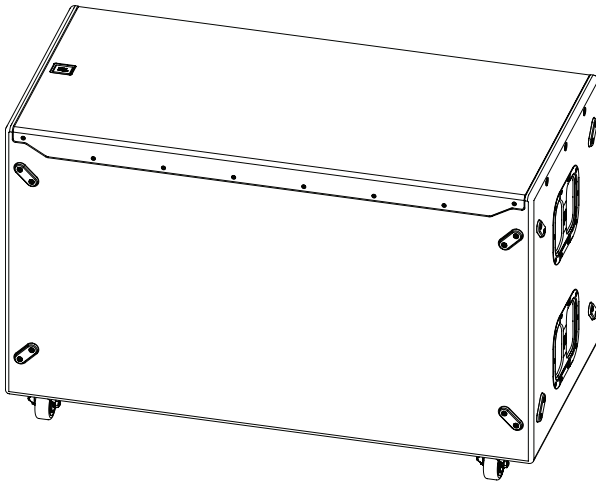


## HIGHLIGHTS

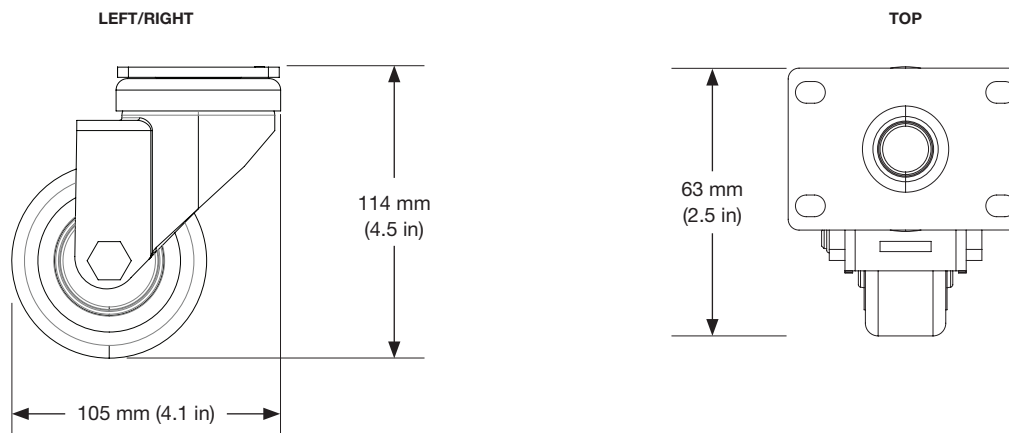
- Universal caster kit for JBL products
- Compatible with SRX918S and SRX928S
- Black housing for discreet look
- Black polyurethane wheel
- Anti-rattle features for vibration-free operation

## DESCRIPTION

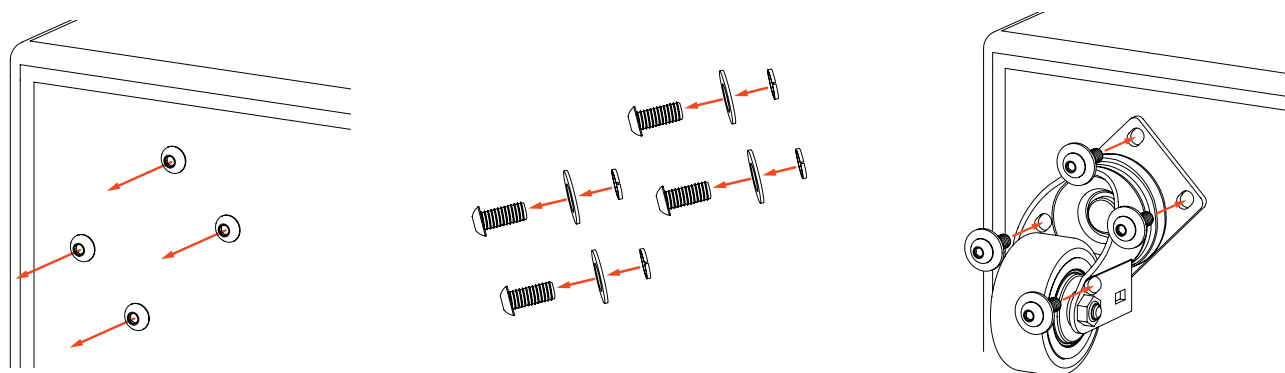
The ACK1 is a universal accessory caster kit used for transportation of compatible JBL products. The kit includes four four grade casters and the hardware necessary for attachment to the cabinet. The housing and wheels are black for a discreet look even in situations where the rear of the product is facing the audience, as in cardioid subwoofer stacks. Each caster has a load rating of 100 kg (220 lbs), and the wheels are made out black polyurethane. For more information on how to attach the ACK1 refer to the product's Rigging and User Manuals.



## DIMENSIONS



## INSTRUCTIONS



Note: Apply a torque value of 3.9 Nm (35 in-lbs) and non-permanent thread lock.

## TECHNICAL SPECIFICATIONS

### PHYSICAL

**Construction :** High-grade steel with anti-corrosion coating

**Finish :** Black powder coat

**Caster Size :** 76 mm (3 in)

**Caster Load Capacity :** 100 kg (220 lbs) per caster

**Dimensions (H x W x D):** 114 mm x 63 mm x 105 mm  
(4.5 in x 2.5 in x 4.1 in)

**Net Weight :** 3.2 kg (6.9 lbs)  
**Shipping Weight :** 3.7 kg (8.3 lbs)

### ORDERING INFORMATION

**SKU :** JBL-P3291MX | ACK1

**Included :** (4) Casters | Installation Hardware

JBL continually engages in research related to product improvement. Some materials, production methods and design refinements are introduced into existing products without notice as a routine expression of that philosophy. For this reason, any current JBL product may differ in some respect from its published description, but will always equal or exceed the original design specifications unless otherwise stated.